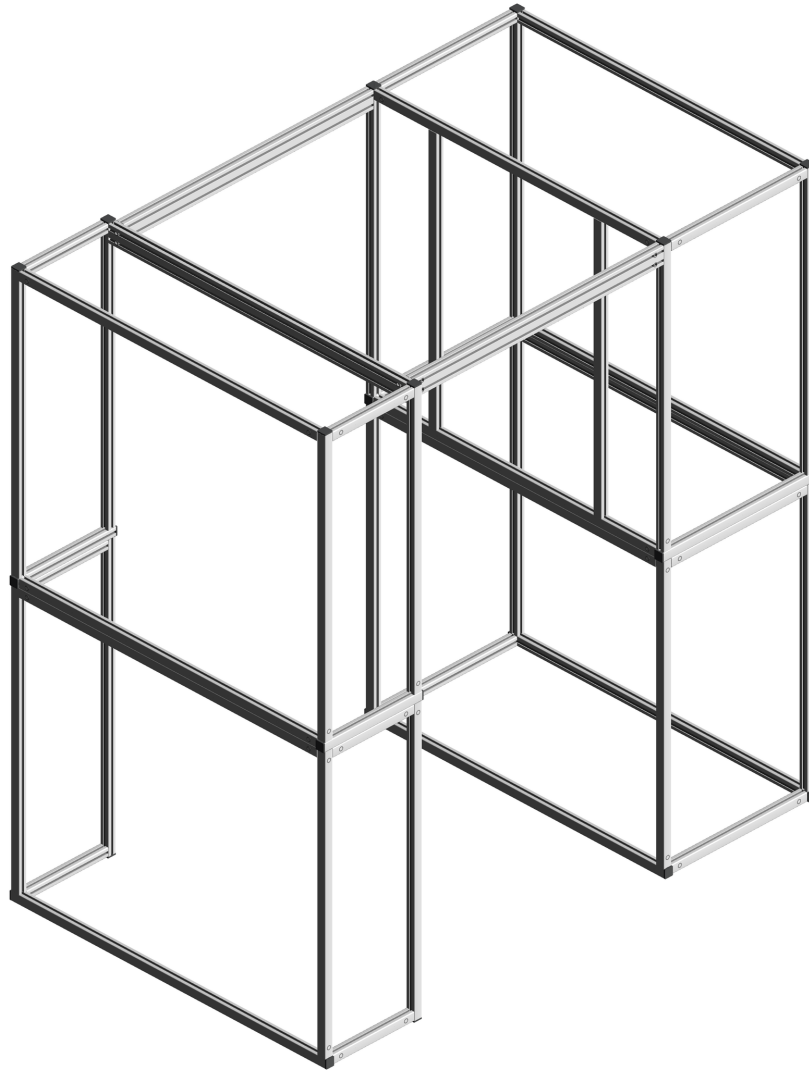


Design Title :
Designer :
Company :
Address :
E-Mail :
Phone :
Date : 10/28/2011

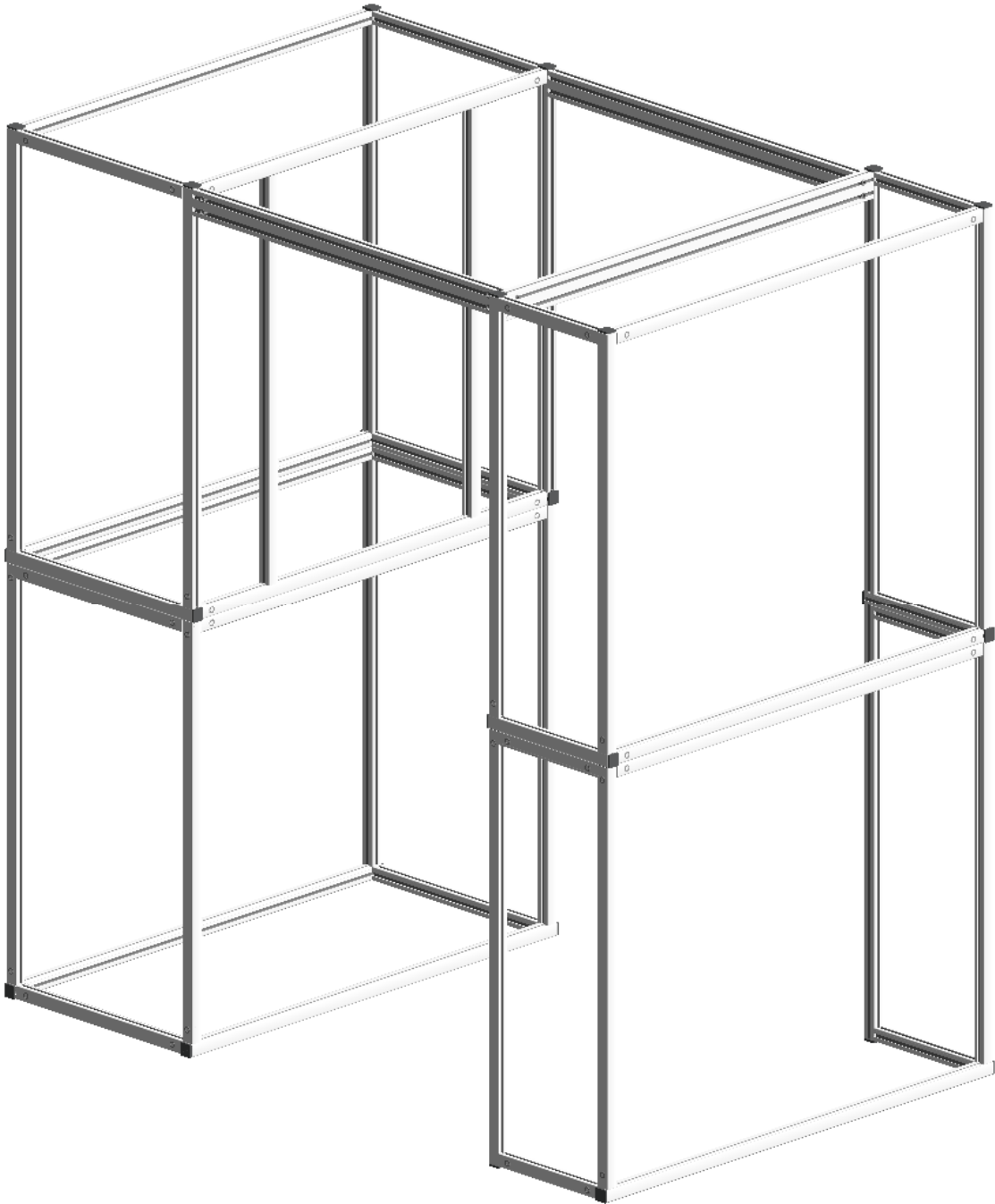


Bill of materials

Pos	Article-No	Description	Units	Qty	Each \$	Price \$
1	1.11.030030.22LP-AA1A00/965.2	Profile 30x30, 2F, corner, light, plain	MM	2	15.90	31.80
2	1.11.030030.22LP-AA2A00/965.2	Profile 30x30, 2F, corner, light, plain	MM	2	15.90	31.80
3	1.11.030030.22LP-AA2AA2/965.2	Profile 30x30, 2F, corner, light, plain	MM	3	17.90	53.69
4	1.11.030030.22LP-AA1AA1/965.2	Profile 30x30, 2F, corner, light, plain	MM	3	17.90	53.69
5	1.11.030030.33LP-A00A00/1177.6	Profile 30x30, 3F, light, plain	MM	1	16.52	16.52
6	1.11.030030.33LP-A00A00/364.8	Profile 30x30, 3F, light, plain	MM	2	6.50	12.99
7	1.11.030030.33LP-A00A00/568	Profile 30x30, 3F, light, plain	MM	2	9.00	18.00
8	1.11.030030.33LP-AA4AA4/935.2	Profile 30x30, 3F, light, plain	MM	2	17.53	35.06
9	1.11.030030.33LP-A00AA2/995.2	Profile 30x30, 3F, light, plain	MM	2	16.27	32.54
10	1.11.030030.33LP-A00A00/1117.6	Profile 30x30, 3F, light, plain	MM	2	15.78	31.55
11	1.11.030030.33LP-AA2AA2/1117.6	Profile 30x30, 3F, light, plain	MM	3	19.78	59.33
12	1.11.030030.33LP-AA2A00/965.2	Profile 30x30, 3F, light, plain	MM	4	15.90	63.59
13	1.11.030030.33LP-AA2AA2/304.8	Profile 30x30, 3F, light, plain	MM	6	9.76	58.54
14	1.11.030030.33LP-AA2AA2/508	Profile 30x30, 3F, light, plain	MM	6	12.26	73.57
15	1.11.030030.33LP-AA2AA2/1057.6	Profile 30x30, 3F, light, plain	MM	6	19.04	114.22
16	1.11.030060.64LP-FB2FB2/1117.6	Profile 30x60, 6F, light, plain	MM	1	33.50	33.50
17	1.11.030060.64LP-FB4FB4/935.2	Profile 30x60, 6F, light, plain	MM	2	29.82	59.65
18	1.42.20303.2	Cover cap 30x30, black	MM	24	0.96	22.93
19	1.21.3F0	Connector, universal	EA	80	2.86	228.48
Scrap charge						51.90

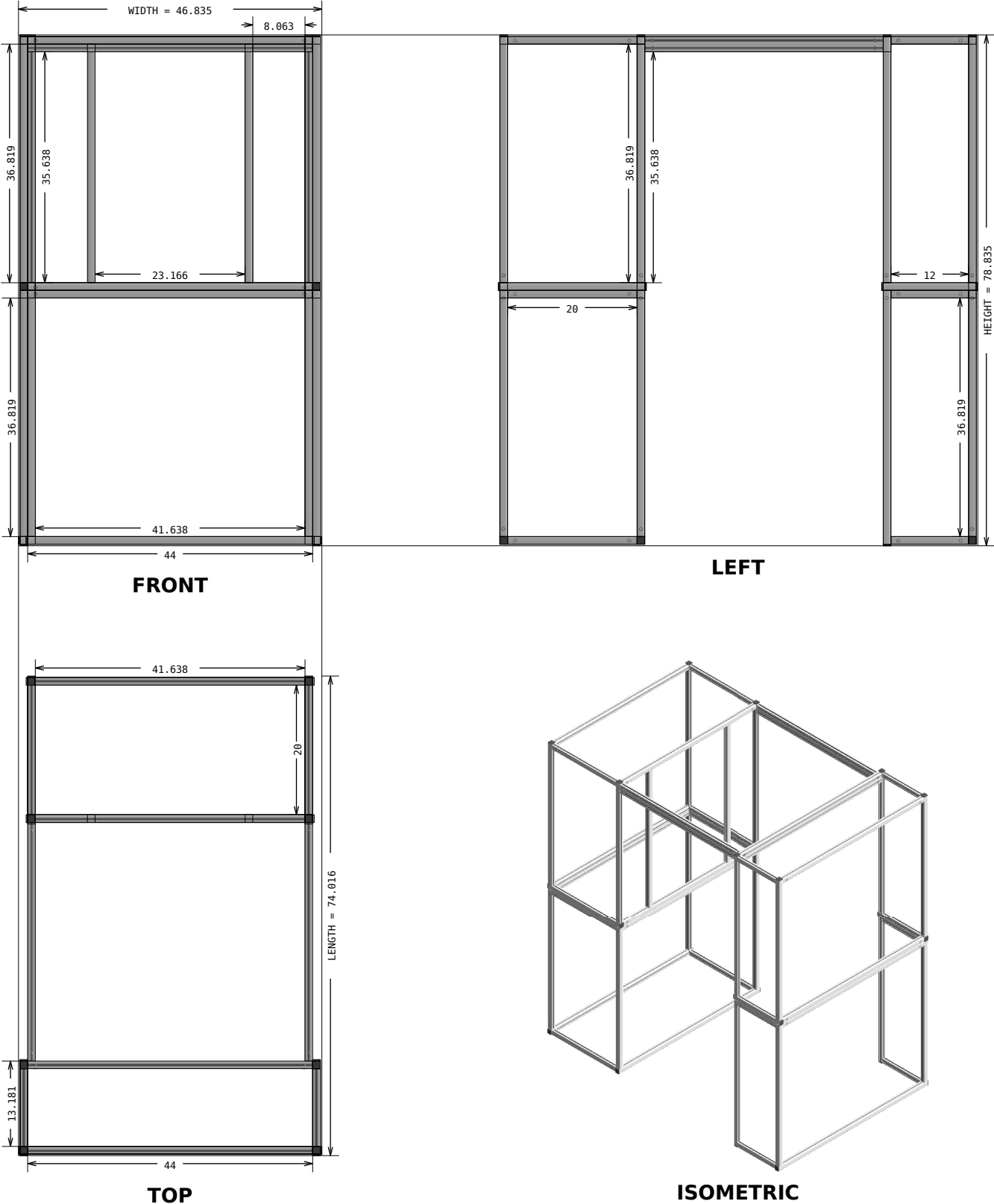
Total Weight: 40.03 kg (88.25 lbs) **Total Amount:** \$ 1083.36

Isometric view

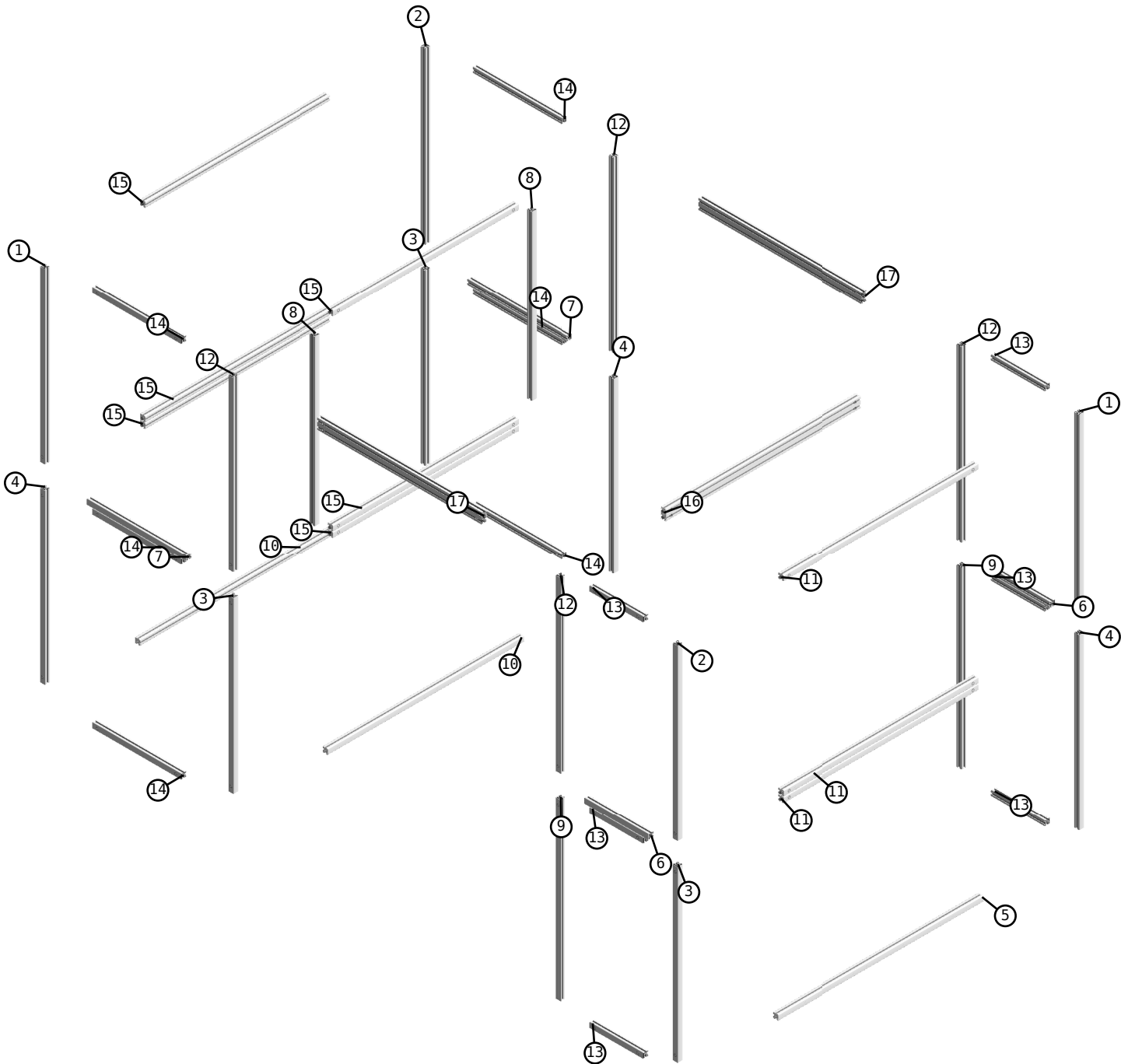




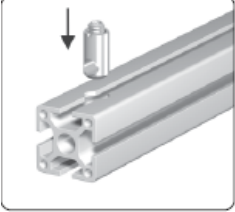
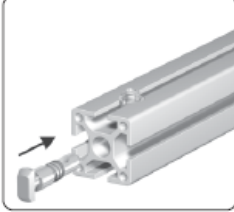
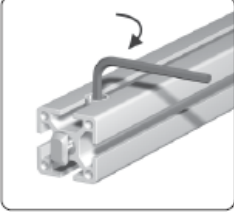
Multiview



Exploded view



Assembly hints

All types of connectors	1.21.3F0	Connector, universal
 <p>Insert the cross bushing</p>	 <p>Push in the anchor</p>  <p>Pretension the anchor</p> <p>Comments For the optimal assembly of the profiles the connector is to be installed in such a way that the neck is flush to the profile front side</p>	<p>Most MayTec connectors follow these assembly steps</p>