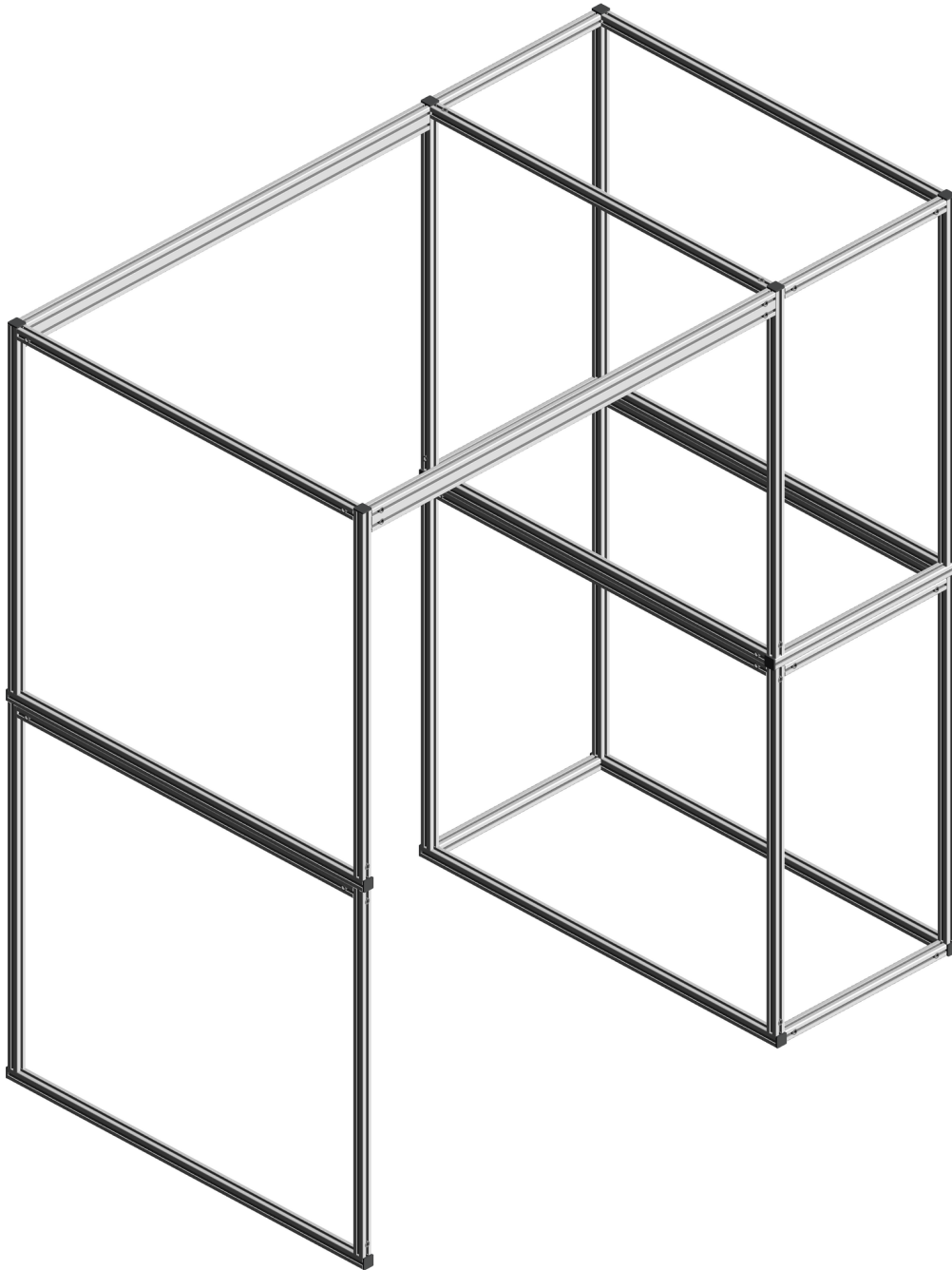


Design Title : Photo booth M18, enhanced modularity over M17  
Designer : FrameXpert  
Company : FrameXpert  
Address : 555 Legget Drive Tower A, Suite 101 Ottawa, ON, Canada K2K 2X3  
E-Mail : support@framexpert.com  
Phone : 1 (888) 520-7589  
Date : 9/20/2011

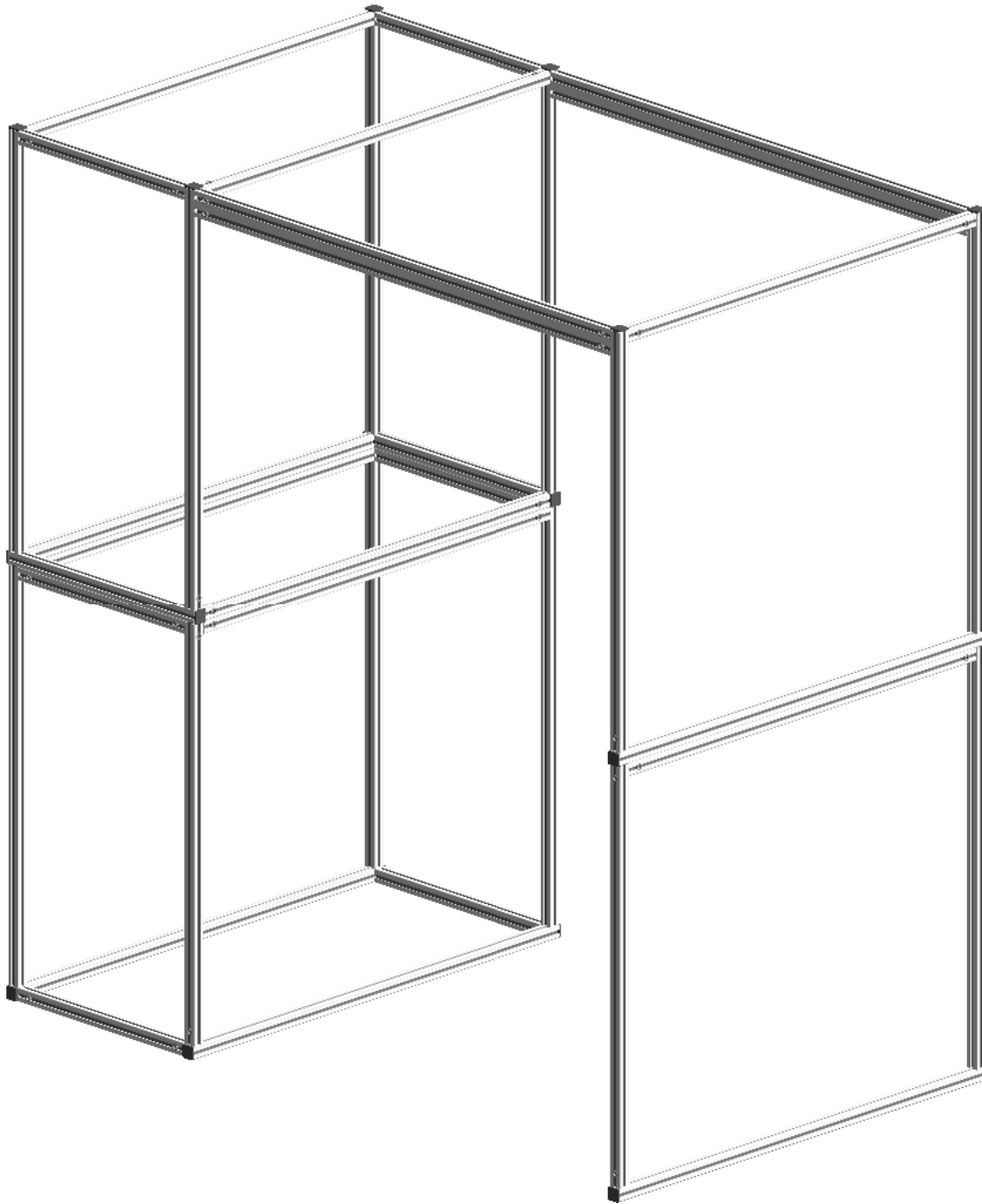


# Bill of Materials

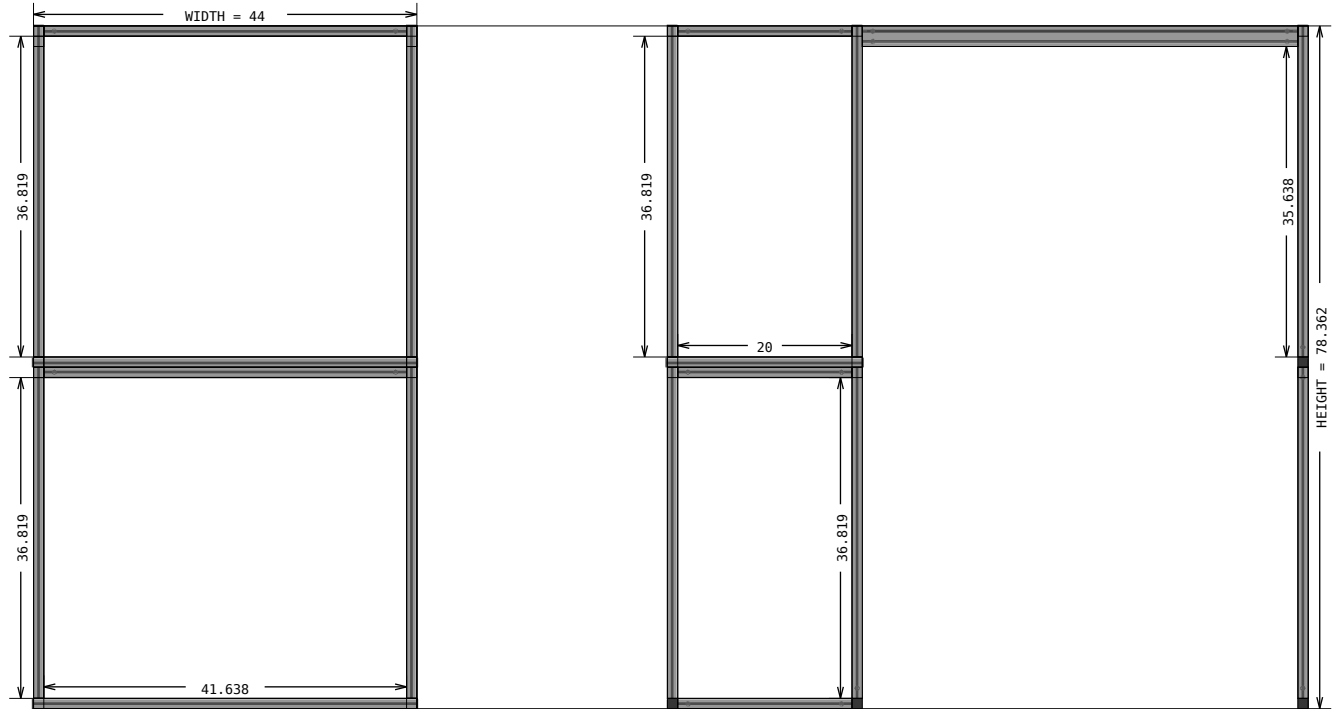
Pos	Article-No	Description	Unit	Quantity	Price/Unit	Price
1	1.11.030030.43LP-AA2AA1/965.2	Profile 30x30, 4F, light, plain	MM	1	\$16.39	\$16.39
2	1.11.030030.43LP-A00A00/568	Profile 30x30, 4F, light, plain	MM	2	\$8.11	\$16.23
3	1.11.030030.43LP-A00A00/1117.6	Profile 30x30, 4F, light, plain	MM	4	\$14.03	\$56.11
4	1.11.030030.43LP-AA3AA3/965.2	Profile 30x30, 4F, light, plain	MM	5	\$16.39	\$81.94
5	1.11.030030.43LP-AA2AA2/508	Profile 30x30, 4F, light, plain	MM	6	\$11.47	\$68.80
6	1.11.030030.43LP-AA2A00/965.2	Profile 30x30, 4F, light, plain	MM	6	\$14.39	\$86.33
7	1.11.030030.43LP-AA3AA3/1057.6	Profile 30x30, 4F, light, plain	MM	8	\$17.38	\$139.06
8	1.11.030060.64LP-FB4FB4/1270	Profile 30x60, 6F, light, plain	MM	2	\$36.56	\$73.13
9	1.42.20303.2	Cover cap 30x30, black	EA	18	\$0.96	\$17.20
10	1.21.3F0	Connector, universal	EA	54	\$2.86	\$154.22
	Scrap charge					\$36.00

Total Weight: 31.08 kg (68.52 lbs) Total Price: \$ 745.41

## Isometric View

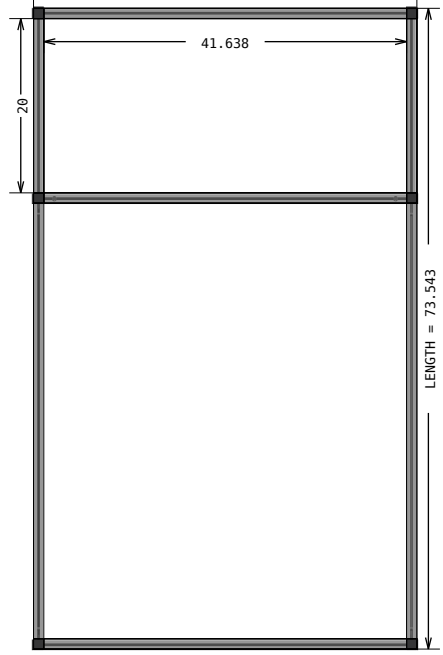


# Multiview

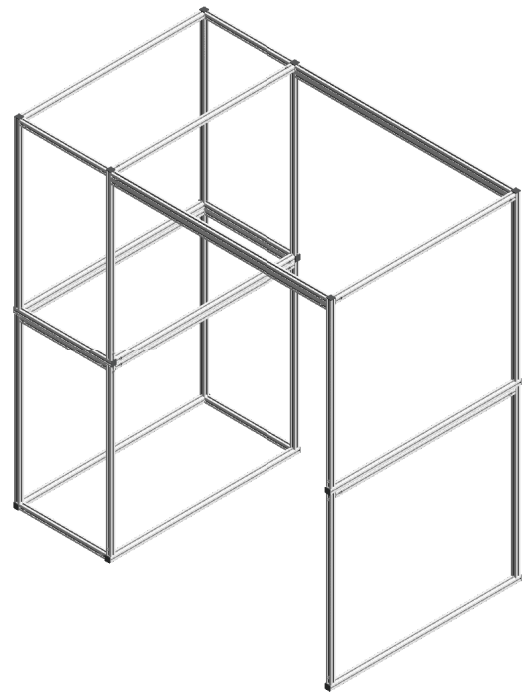


**FRONT**

**LEFT**

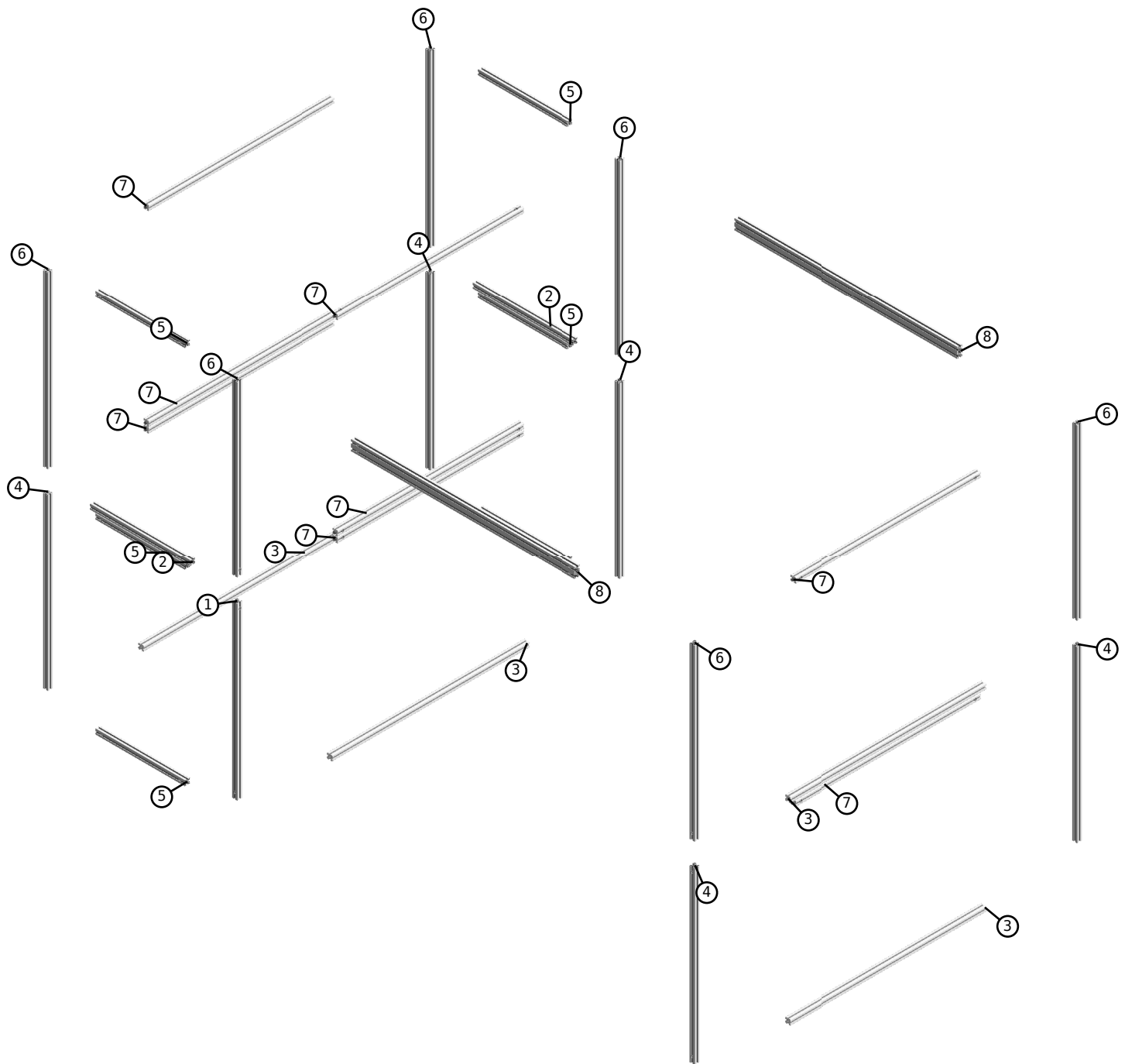


**TOP**

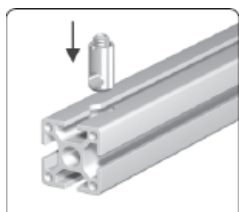
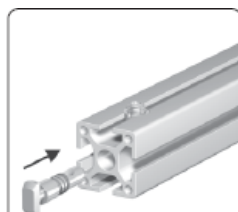
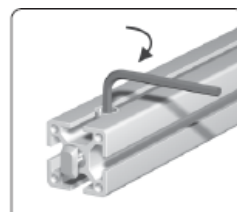
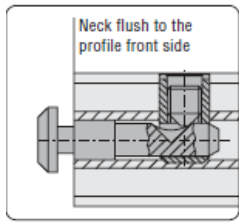


**ISOMETRIC**

# Exploded View



# Assembly Hints

All types of connectors	1.21.3F0	Connector, universal	
<div style="display: flex; justify-content: space-around;"> <div style="text-align: center;">  <p>Insert the cross bushing</p> </div> <div style="text-align: center;">  <p>Push in the anchor</p> </div> <div style="text-align: center;">  <p>Pretension the anchor</p> </div> </div> <div style="margin-top: 10px;">  <p>Neck flush to the profile front side</p> <p><b>Comments</b>        For the optimal assembly of the profiles the connector is to be installed in such a way that the neck is flush to the profile front side</p> </div>			<p>Most MayTec connectors follow these assembly steps</p>